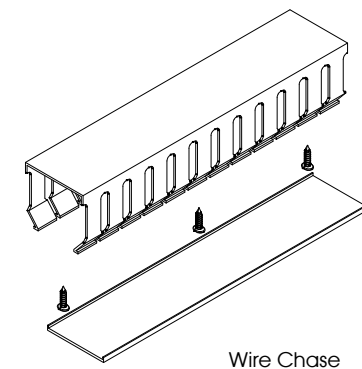
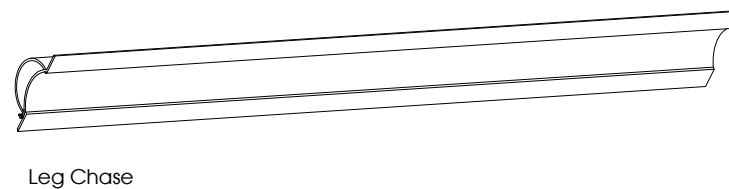
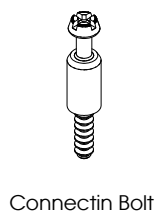


1. Place the Desk Top face down on a padded surface.
2. Attach the Legs using the #14 x 1" screws(36) and a #3 phillips driver.
3. Attach the Wire Chase. Place where desired. There are no pre-drilled holes, but the #8-10 x 3/4" screws are self tapping.
4. Turn the Desk upright.
5. Insert the Connecting Bolts (40) into the pre-drilled holes on the Desk Top and bottom of the Monitor Bridge using a #3 phillips driver.
6. Place the Risers over the Conneting Bolts on the Desk Top. Use the included 6mm wrench to tighten the Cams.
7. Place the Monitor Bridge over the Risers
8. Tighten the Cams to attach the Monitor Bridge to the Risers.
9. Press on the Cover Caps over the Cams.
10. Attach the Leg Chase where desired.



CF115 Assembly

Assembly Instructions



martinandziegler.com
P503-266-7660
F503-266-7661
421 NE 3rd Ave
Canby, OR 97013

Date	05/07/2014	Rev.	
Scale	NTS	Sheet	1 of 1
Drawn by	Staff		
Approved		Date	